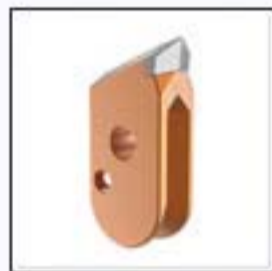




BSC

WEAR / SPARE PARTS FOR TRENCH CUTTER





CONTENTS

	Page
+ CUTTER WHEELS -----	3
Standard type cutter wheel	
Round shank chisel type cutter wheel	
Roller bit type cutter wheel	
+ WEAR PARTS FOR CUTTER WHEELS -----	4~15
Standard cutting teeth -----	5~6
Tooth holder -----	7~11
Tooth holder supporter -----	12~13
Round shank chisel -----	14
Roller bits -----	15
+ MUD PUMP (6") AND ALL THE SPARE PARTS-----	16
+ SUCTION BOX, DAMPER AND CYCLONE PARTS-----	17
+ MUD HOSE 6" -----	18
+ ROPE PULLEY, CUTTER FRAME EXTENSION AND OTHERS - - - -	19~20
Rope pulley, Cutter frame extension and steering plates, Repair of Gear box,	
Wear block [V-block] and Elbow -----	19
Protection ring -----	20
+ TUNGSTEN CARBIDE TIP GRADE -----	21



CUTTER WHEELS

Cutter wheels

Standard type

'Standard type' is suitable for working in soil conditions. Through changing the grade of the carbide tip on the cutting tooth, it can be used in various soil conditions.



Trench width

640mm
800mm
1,000mm
1,200mm
1,500mm
1,800mm
2,000mm



JL

JM

JR

WM

JMK

Round shank chisel type

'Round shank chisel type' is used for cutting in weathered rock and hard rock.



Trench width

640mm
800mm
1,000mm
1,200mm
1,500mm
1,800mm
2,000mm


 BSR30S22BC
(Tip Dia.:22mm)

 BSR30SHBC
(including bushing)

Roller bit type

'Roller bit type' is suitable for cutting of very hard rock.



Trench width

800mm
1,000mm
1,200mm
1,500mm
1,800mm
2,000mm


 BS210
(Side bit)

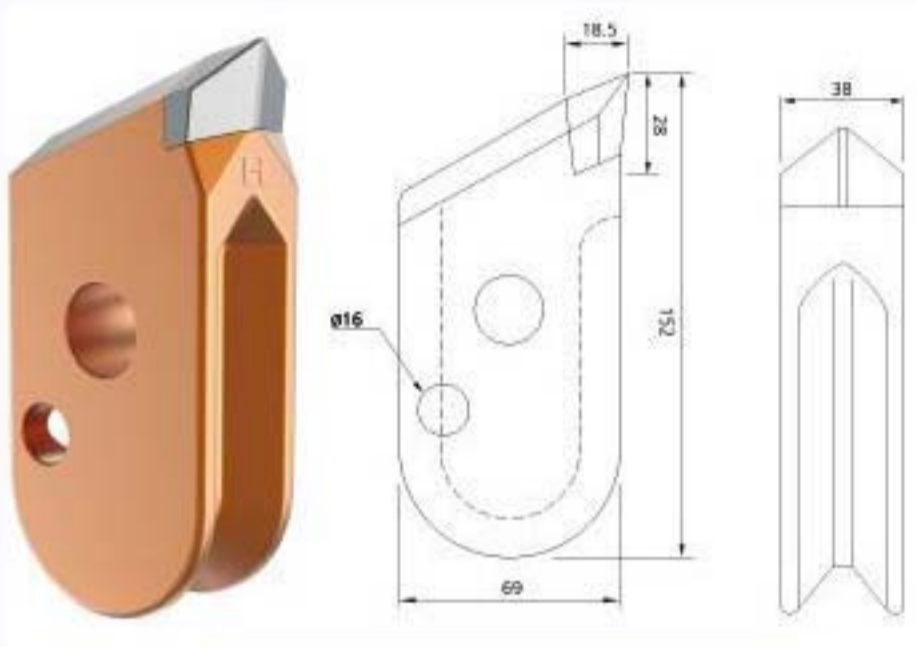
 BS240
(Flat bit)

 BS280
(Center bit)

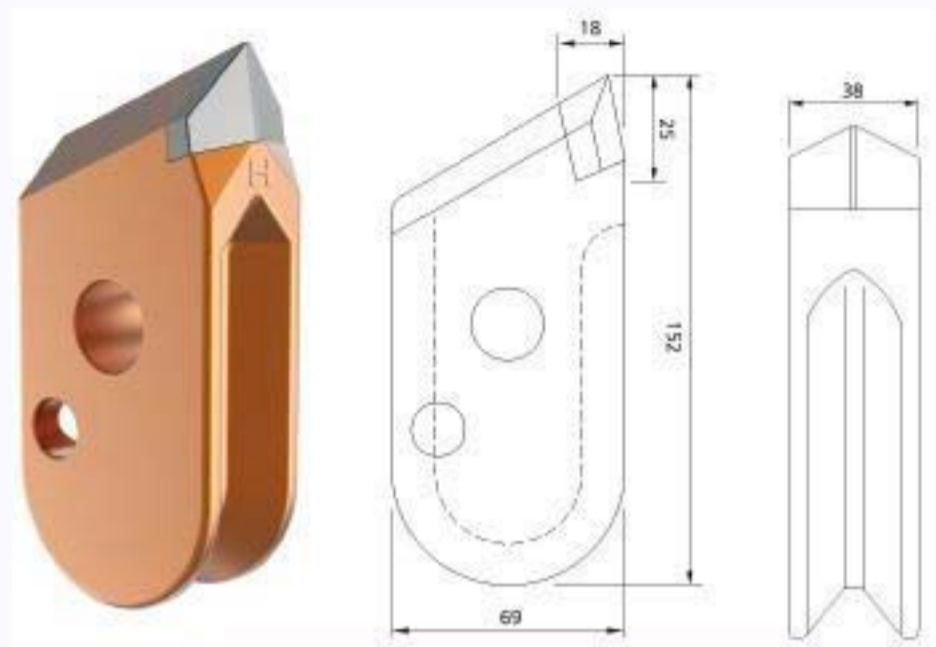
WEAR PARTS FOR CUTTER WHEELS



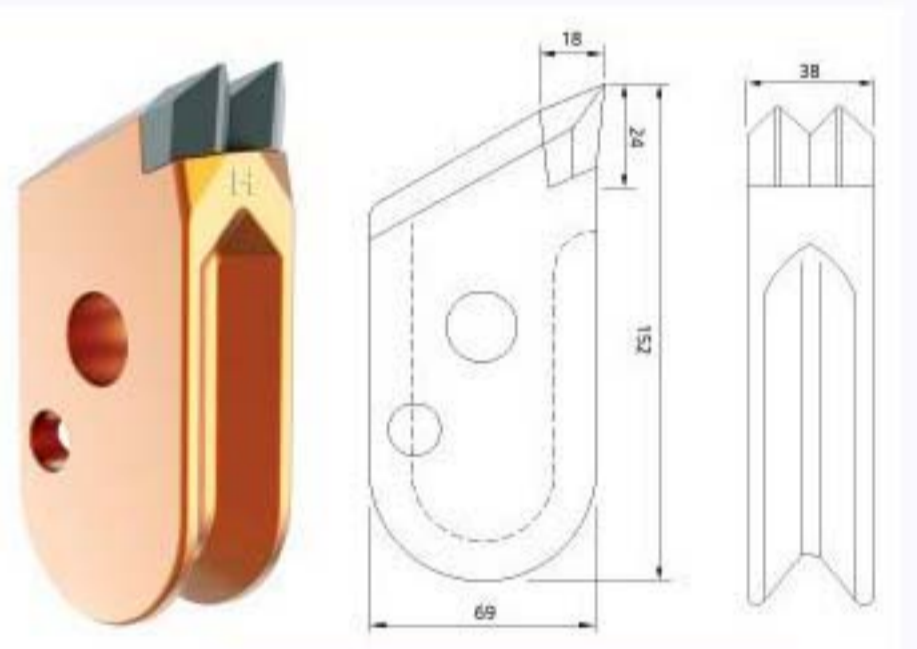
Standard Cutting Teeth



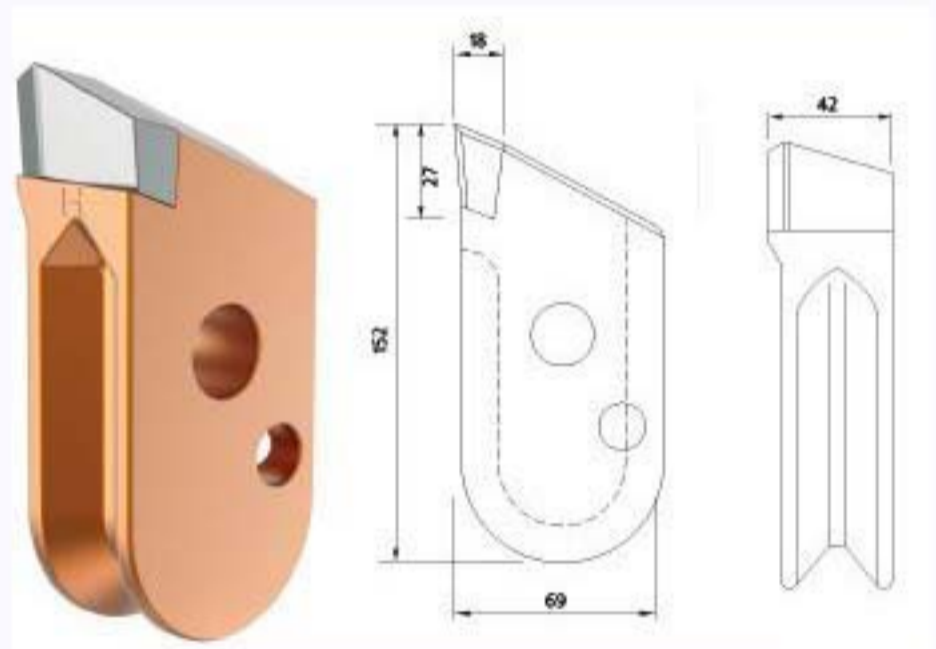
BSC SB38JM
(18071)



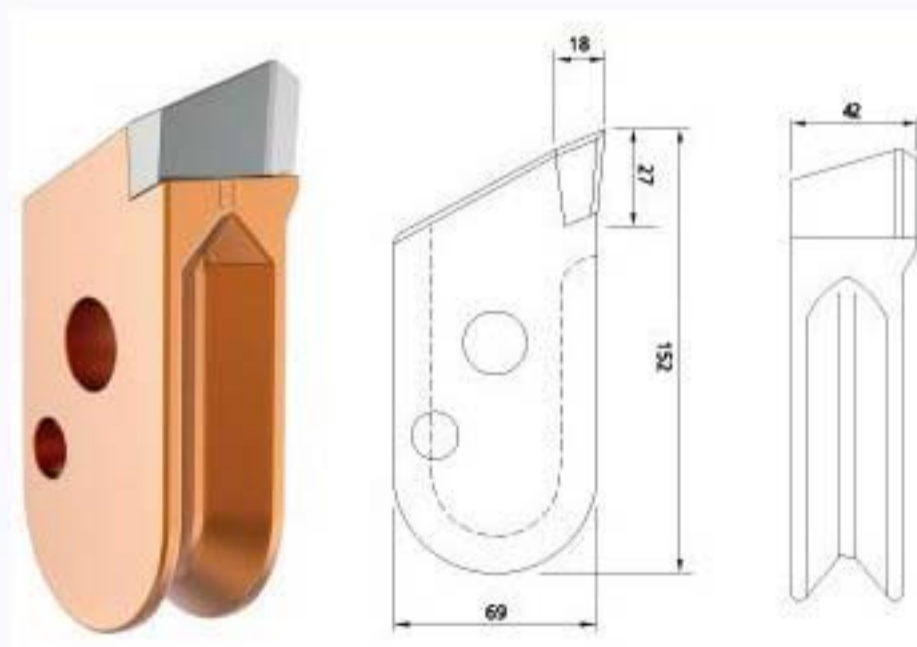
BSC SB38JMK
(372437)



BSC SB38WM



BSC SB42JL
(94668)



BSC SB42JR
(94667)



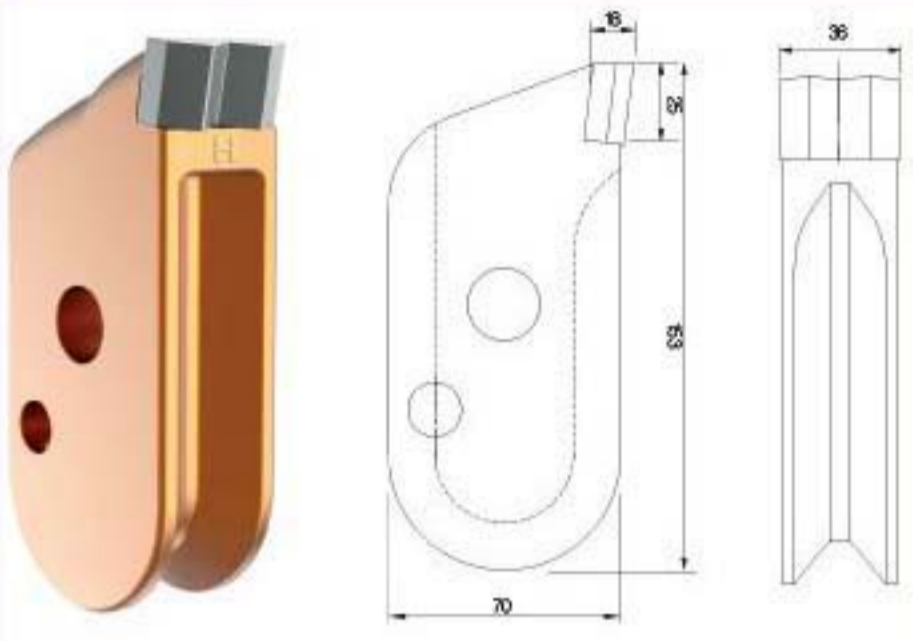
JL

JM
JMK

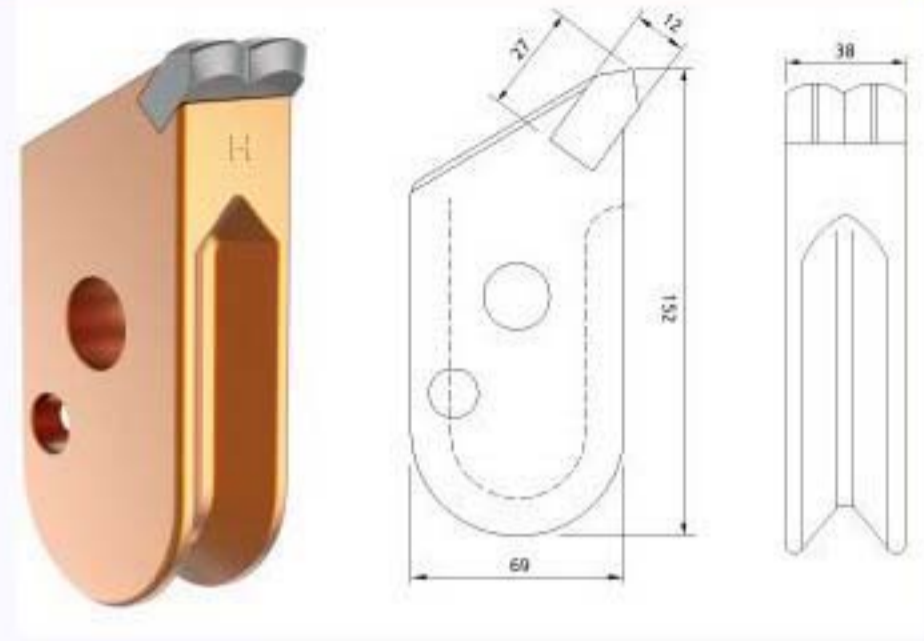
JR

WM

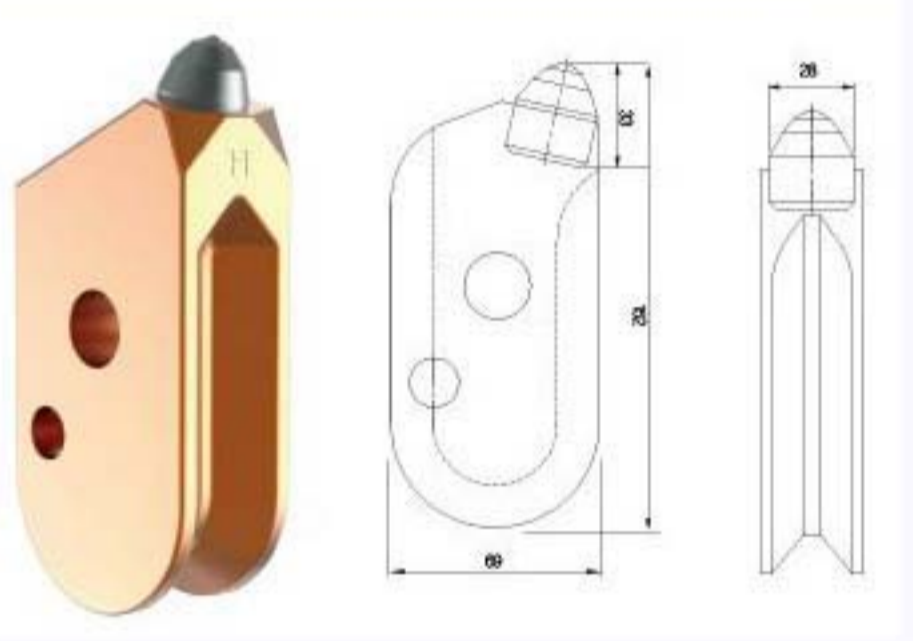
Standard Cutting Teeth



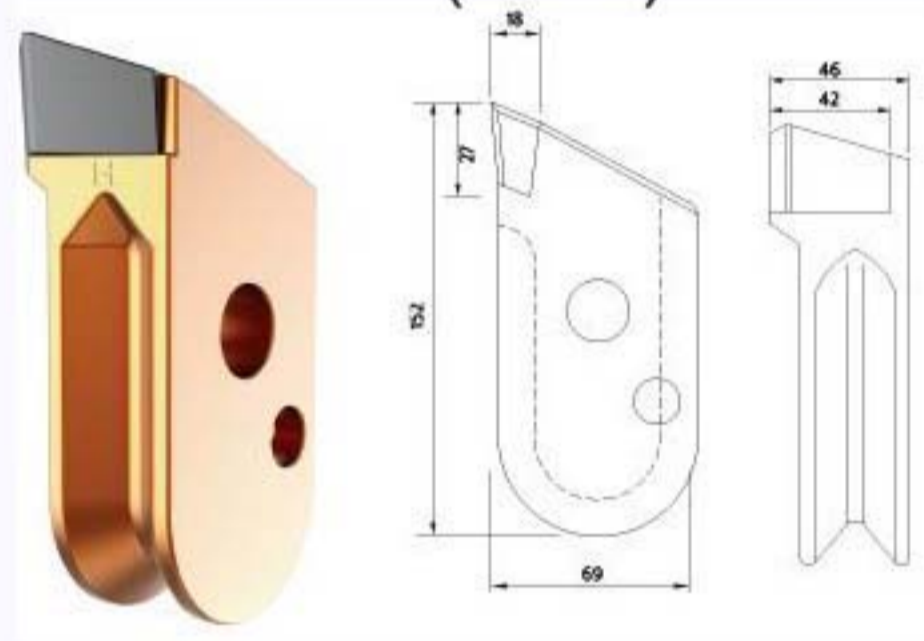
BSC SB36SM



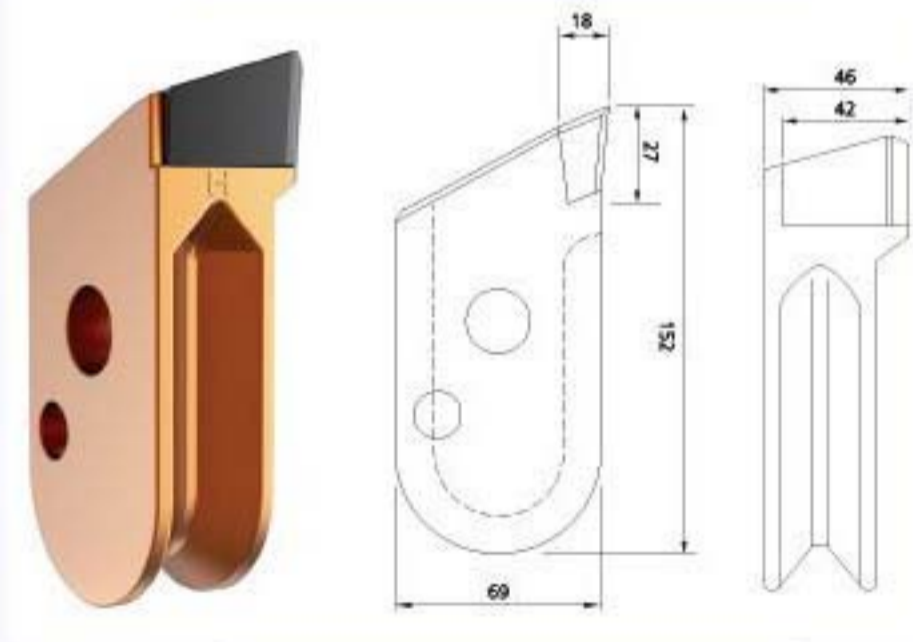
**BSC SB38ZM
(94670)**



BSC SB25RM



BSC SB42JL-W



BSC SB42JR-W



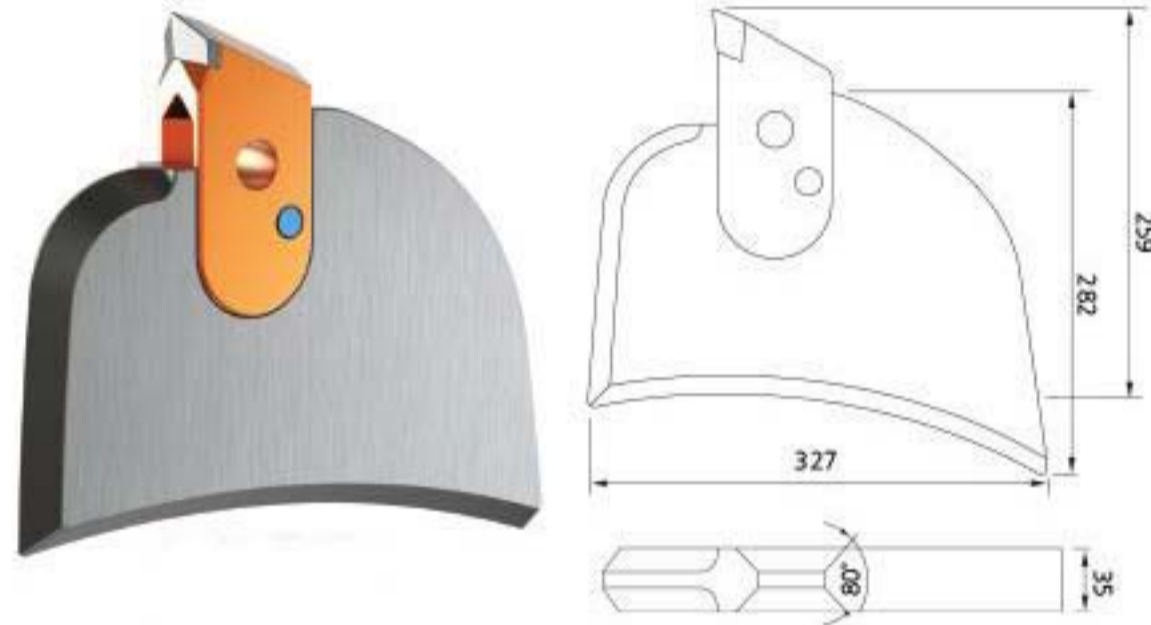
Steel Pin

Plastic Pin (A)

Plastic Pin (B)

Tooth holder - Welded type

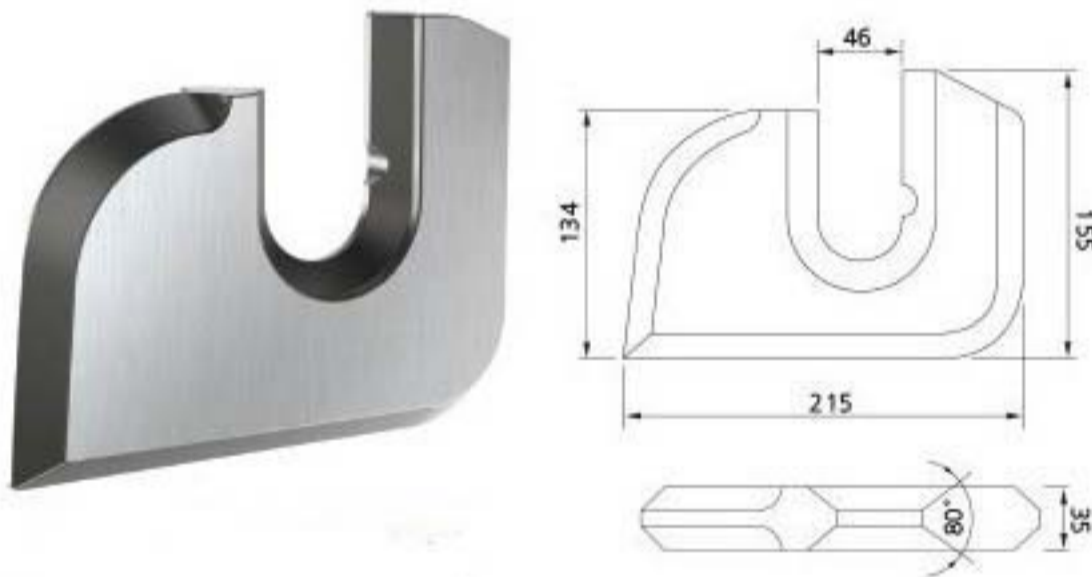
① Welded type



Side holder

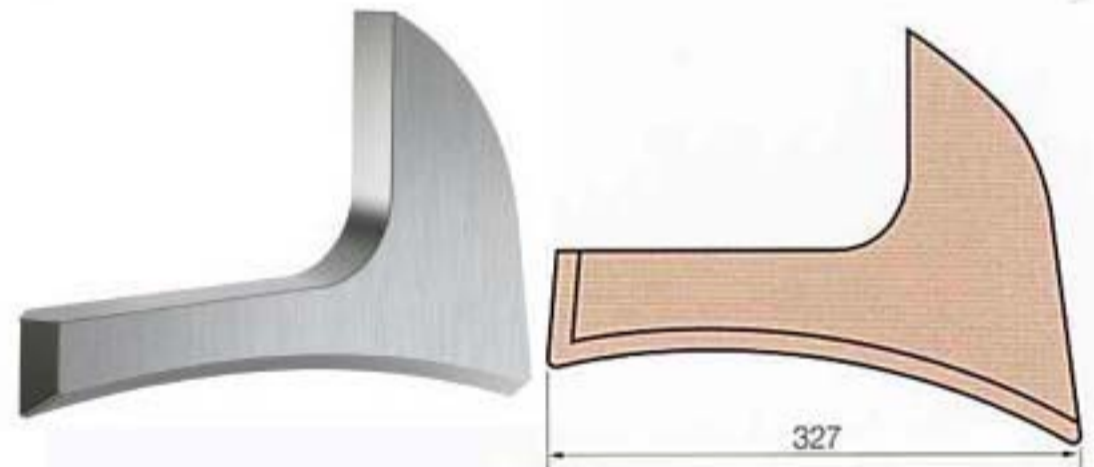
BSWTSH

(15844)

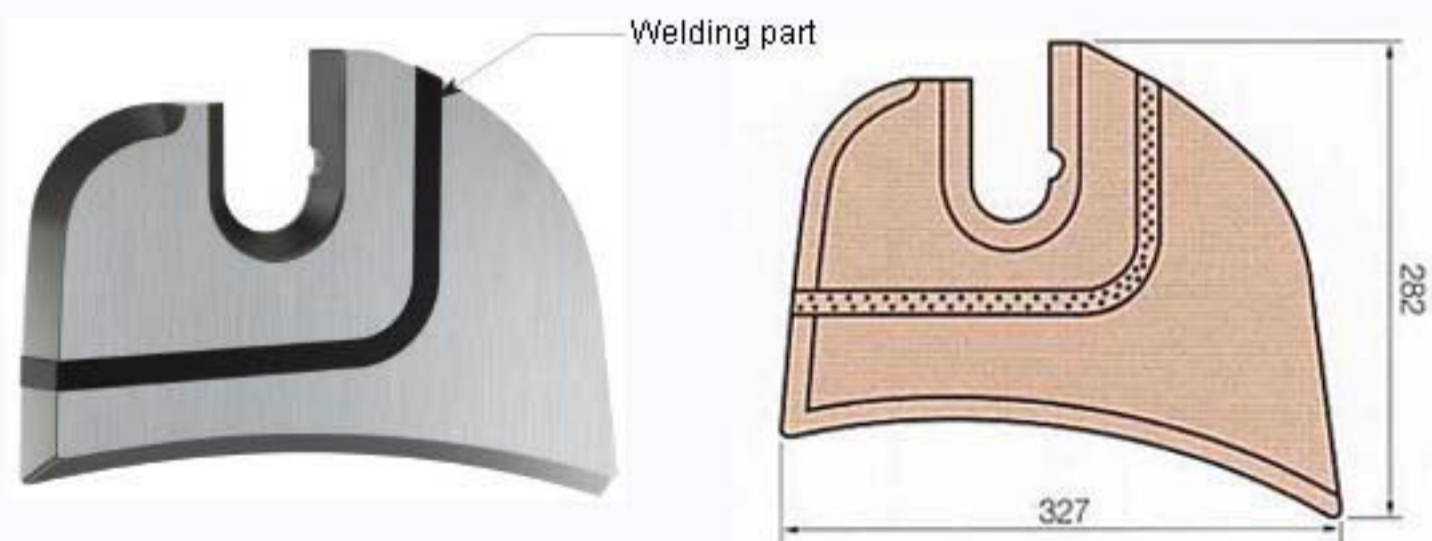


Welding holder (Inner)

BSWTWHI



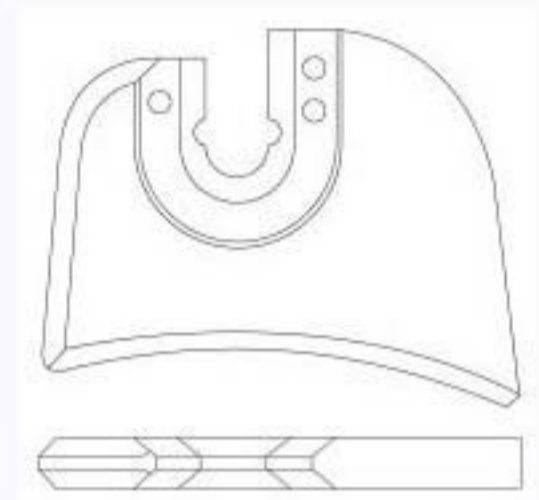
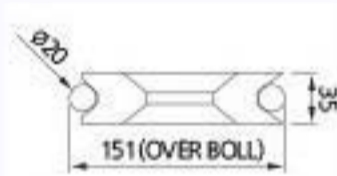
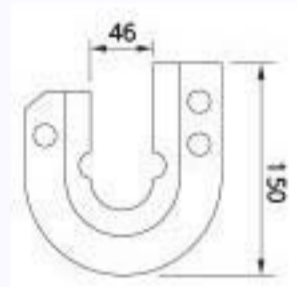
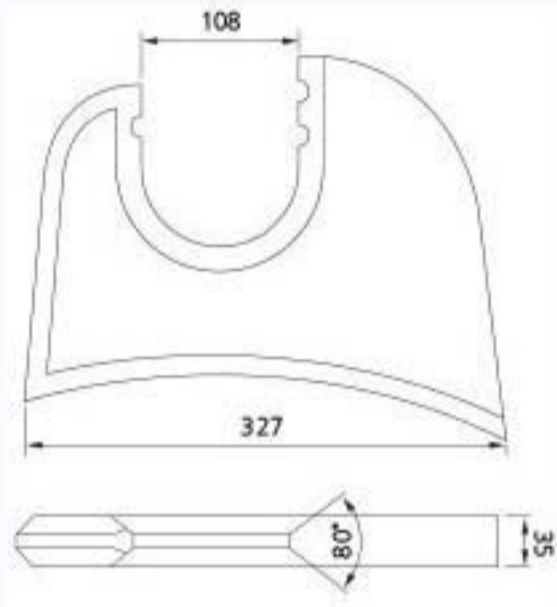
Welding holder (Outer)



Welding holder Ass'y

Tooth holder - Insert type

② Insert type



Insert holder (Outer)

Insert holder (Inner)

Insert holder Ass'y

BSITIHO

BSITIHI

BSITIHA

(441007)

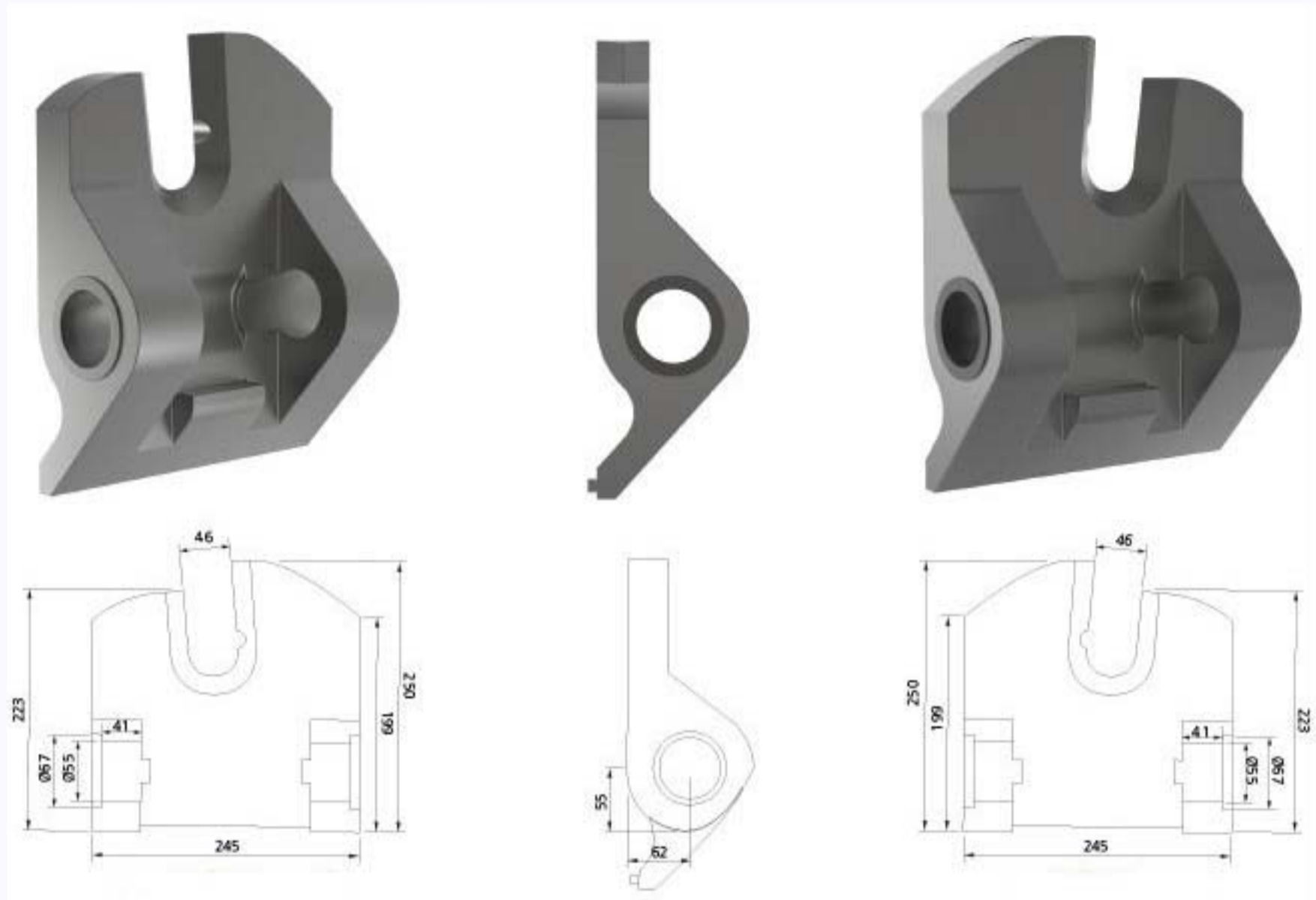
(441010)



Tooth holder - Flipper tooth

3 Flipper tooth

Flipper tooth for BC30/BC40



Flipper tooth (R)

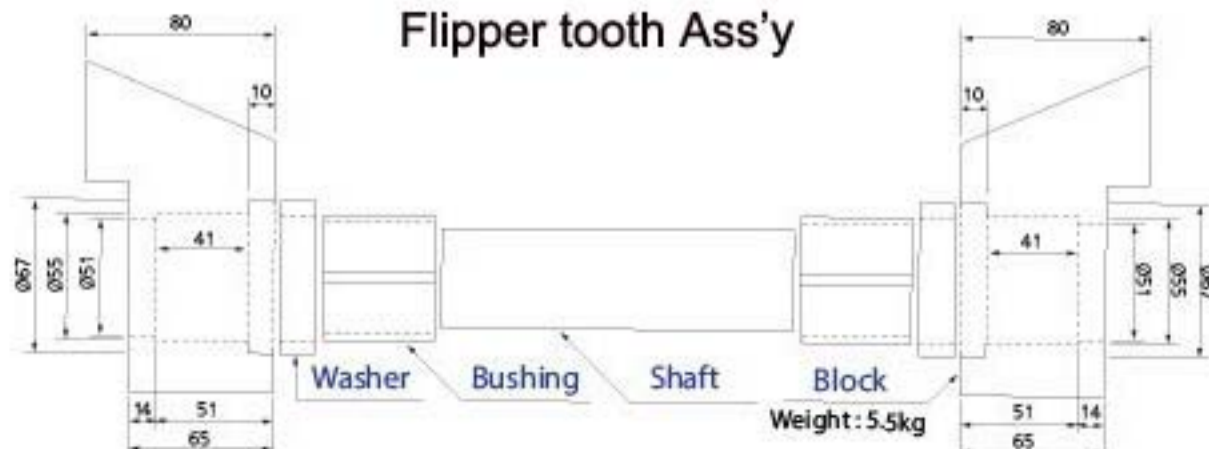
BSFHR3040

Flipper tooth (L)

BSFHL3040

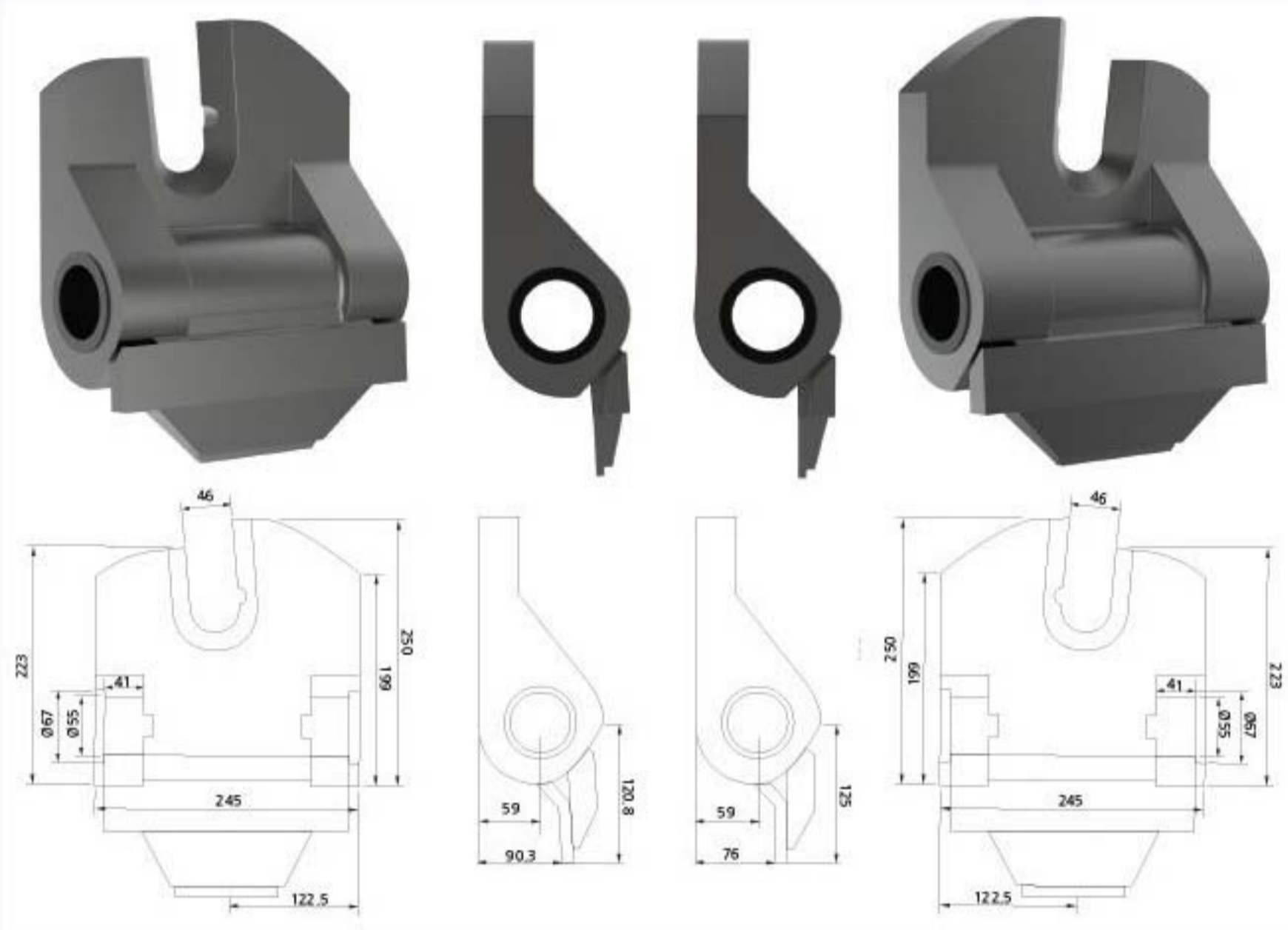


Flipper tooth Ass'y



Tooth holder - Flipper tooth

Flipper tooth for BC50



Flipper tooth (R)

BSFHR50

Flipper tooth (L)

BSFHL50



Tooth holder - Flipper tooth

Round shank chisel Flipper tooth



Round shank chisel
Flipper tooth (R)

BSRSFHR

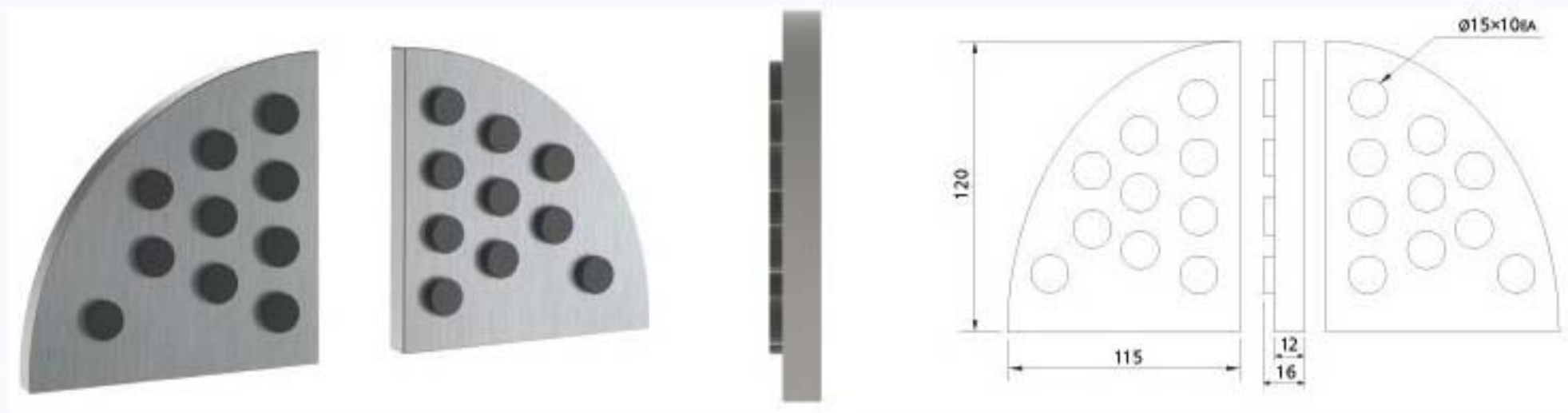


Round shank chisel
Flipper tooth (L)

BSRSFHL



Tooth holder supporter



Round supporter (Big)

BSHSRSB



Round supporter (Small)

BSHSRSS



Round supporter Ass'y

BSHSRSA

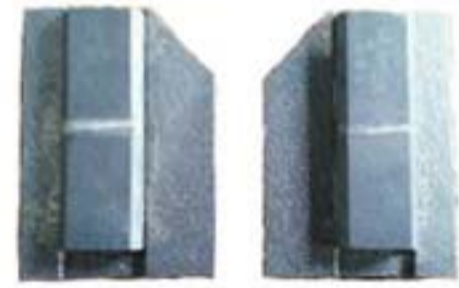


Tooth holder supporter



Square supporter (A)

BSHSSS-A



Square supporter Ass'y

BSHSSSA

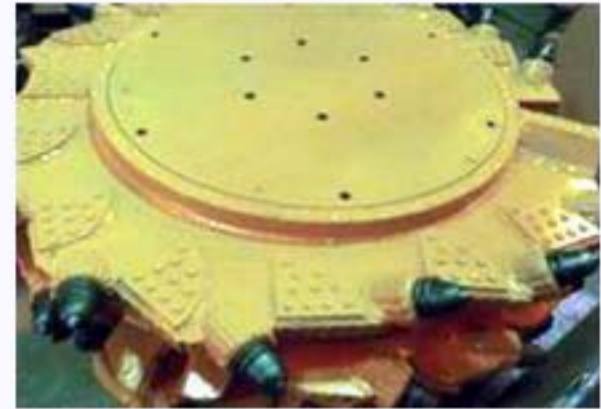


Square supporter (B)

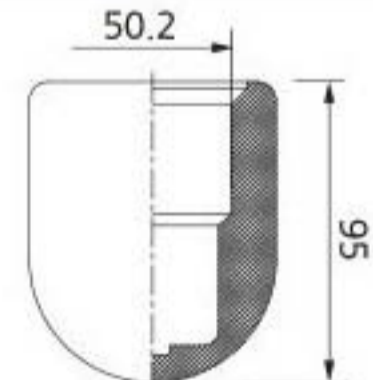
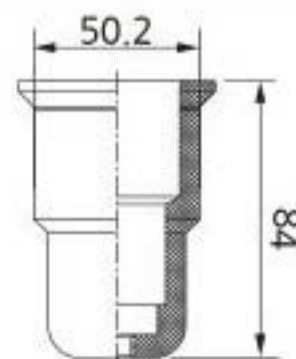
BSHSSS-B

Wear parts for Cutter wheels

Round shank chisel (for Round shank chisel type cutting wheels)

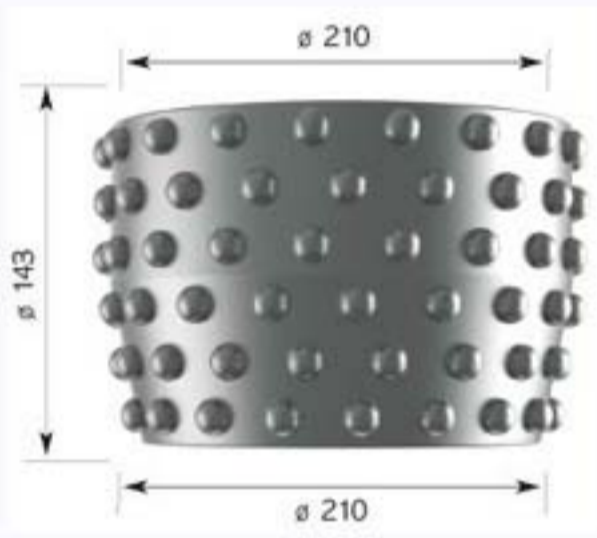
**BSR30S22BC****BSR30S22BCL****BSR30S22BCB**

Bushing

**BSR30SHBC**

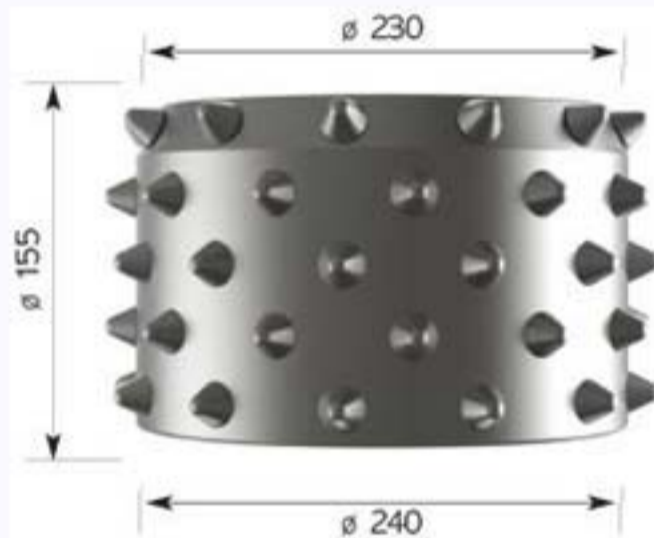
Wear parts for Cutter wheels

Roller bits (for Roller bit type cutting wheels)



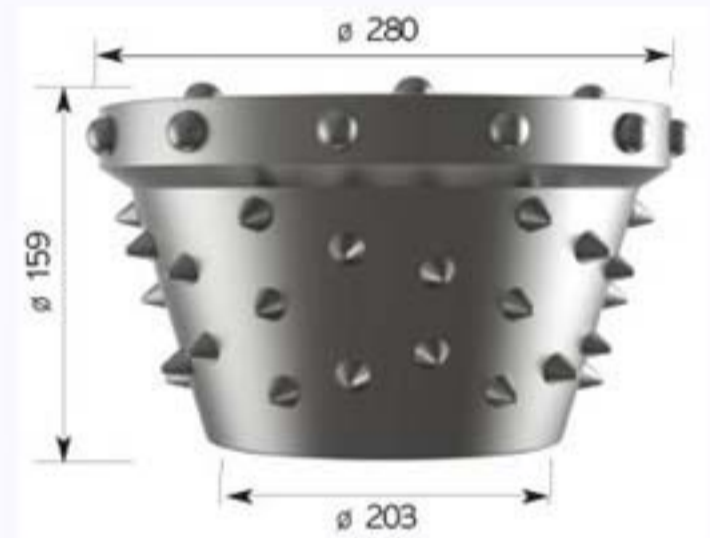
Side bit

BS210



Flat bit

BS240



Center bit

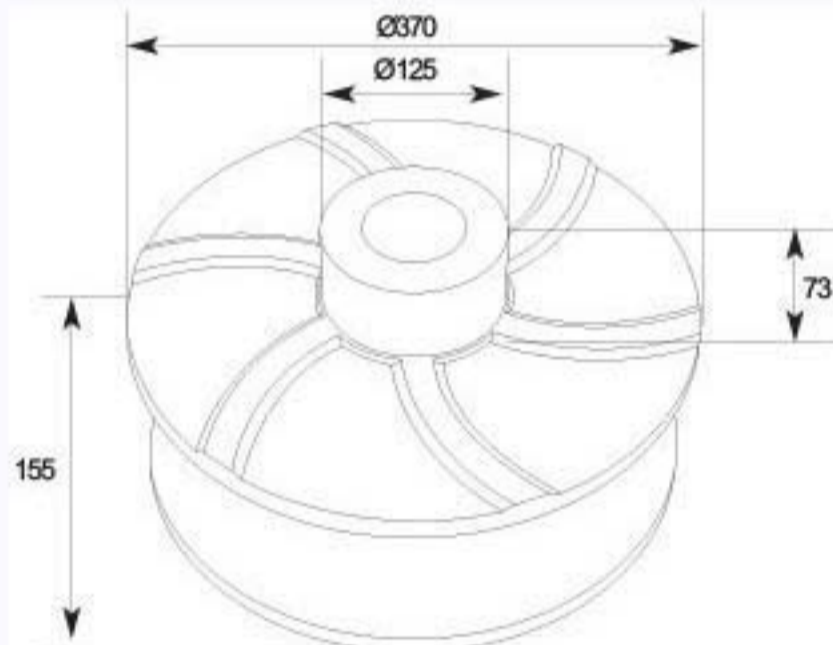
BS280



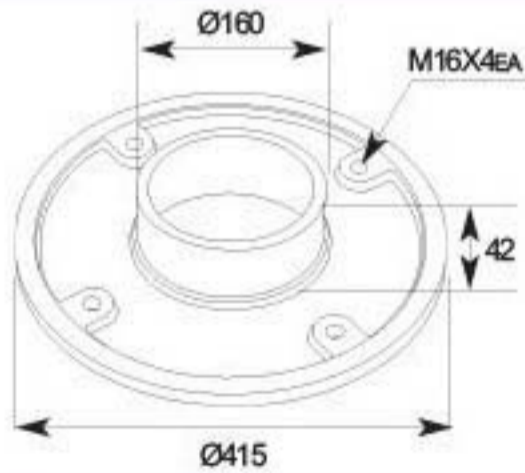
MUD PUMP (6") AND ALL THE SPARE / WEAR PARTS



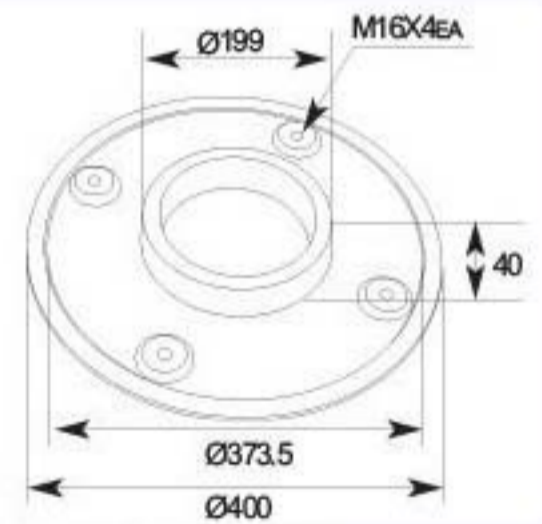
Mud pump (6")



Running wheel [Impeller] (43129)



Wearing plate - Upper plate (19276)



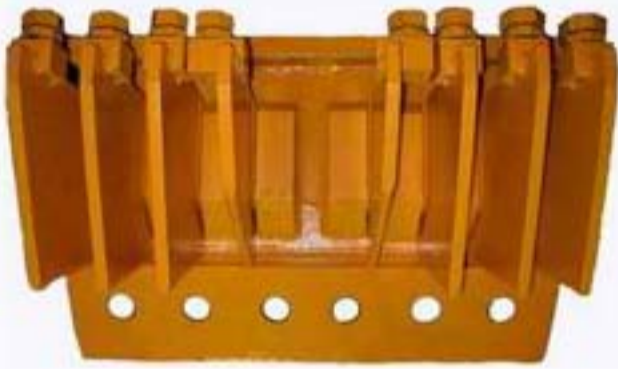
Wearing plate - Lower plate (44235)



Pump case [Housing] (19286)

SUCTION BOX, DAMPER AND CYCLONE PARTS

Suction Box



Trench width

640mm
800mm
1,000mm
1,200mm
1,500mm
1,800mm
2,000mm

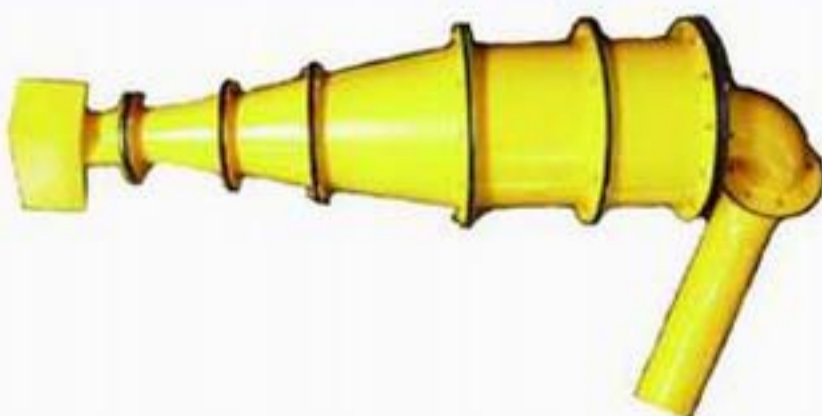


Damper



18" Cyclone parts for Desander

Special rubber lining makes well suited for any type of abrasive slurries.
Suitable for 250m³ slurry inlet.



MUD HOSE

Mud suction & discharge hose with flange

Application : Mud suction hose designed to handle mud on the construction area.

Inner Diameter : 6"(152.4mm)

Max. Lengths : 20m

Tube : Black abrasion NR/SBR synthetic rubber

Reinforcement : Spiral-plied synthetic fabric with helix wire

Cover : Black abrasion, oil, weather & ozone resistant synthetic rubber (Smooth Cover)



ROPE PULLEY, CUTTER FRAME EXTENSION AND OTHERS

Rope pulley, Cutter frame extension and Steering plates



Repair of Gear box



Wear block [V-block]



BC50 Wear block [V-block]



BC30/40 Wear block [V-block]
(18047)

Elbow



BC-50 Type
Size Ø230-180°
Weight: 49kg



BC-30/40 Type
Size Ø200-180°
Weight: 44kg



BC-50 Type
Size Ø230-90°
Weight: 44kg



BC-30/40 Type
Size Ø200-90°
Weight: 29kg

ROPE PULLEY, CUTTER FRAME EXTENSION AND OTHERS

Protection ring



BC-30/40 (New)

OD : \varnothing 785
 ID : \varnothing 710
 H : 49mm



BC-30/40 (OLD)

OD : \varnothing 780
 ID : \varnothing 710
 H : 40mm



BC-30/40

OD : \varnothing 780
 ID : \varnothing 710
 H : 48mm



BC-40 (Ring)

OD : \varnothing 780
 ID : \varnothing 710
 H : 47mm



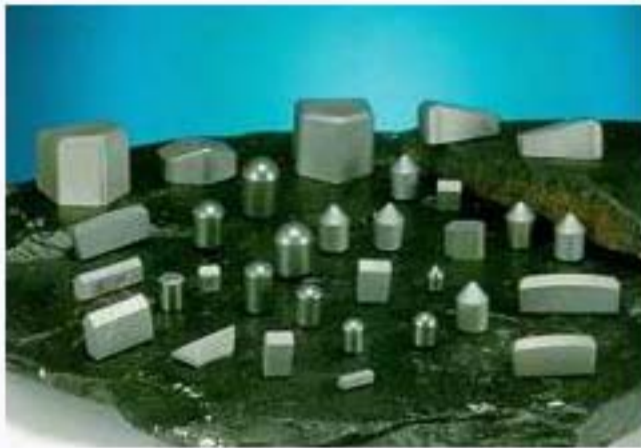
BC-50 (Ring)

OD : \varnothing 800
 ID : \varnothing 700
 H : 67mm



TUNGSTEN CARBIDE TIP GRADE

Different grades of tungsten carbide tip are available on request.



TUNGSTEN CARBIDE POWDER



E20

X1000



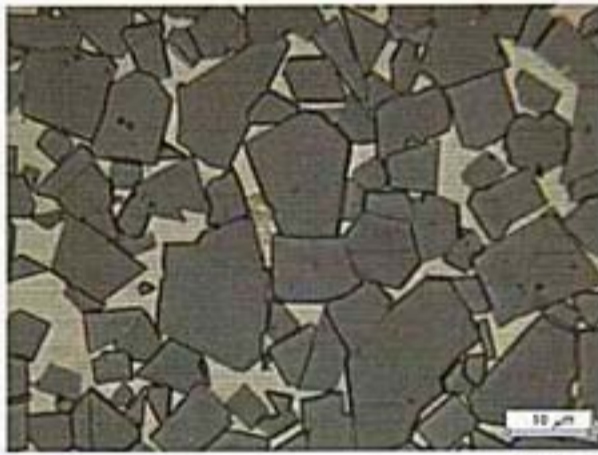
E25

X1000



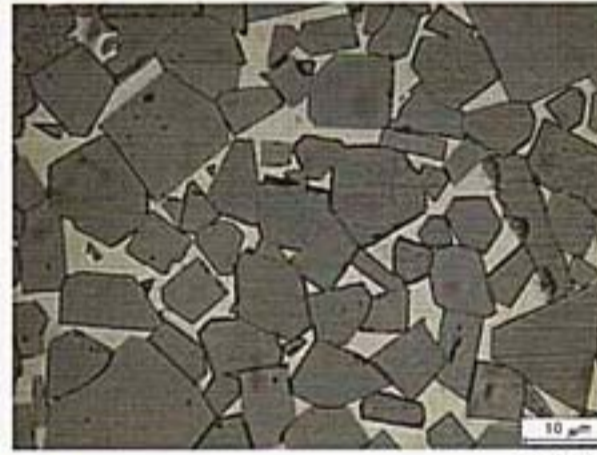
E30

X1000



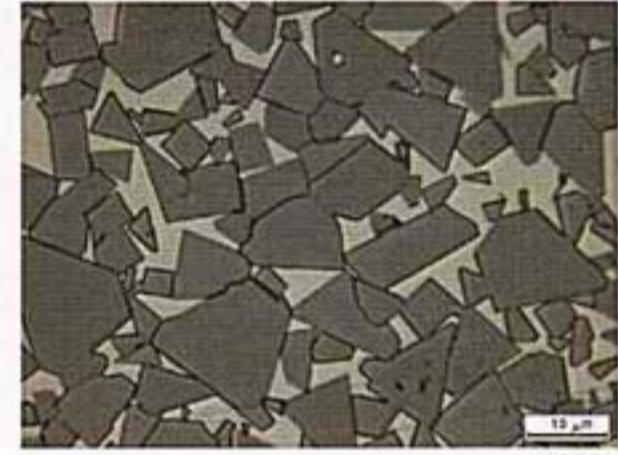
E35

X1000



E40

X1000



E50

X1000

Grade Table

Section	Group	Seismic Velocity (V, km/sec)	Seismic Velocity of Rock fragments (Vc, km/sec)	Uniaxial Compressive Strength of Rock fragments (Kg/cm ²)	Grade	Particle Size	Hardness	Transverse Rupture Strength
Weathered Rock	A	0.7 ~ 1.2	2.0 ~ 2.7	300 ~ 700	E20	6 ~ 6-6 _{μm}	89.5±0.5	240
	B	1.0 ~ 1.8	2.5 ~ 3.0	100 ~ 200	E25	9 ~ 10 _{μm}	88±0.5	220
Soft Rock	A	1.2 ~ 1.9	2.7 ~ 3.7	700 ~ 1000	E30	9 ~ 10 _{μm}	87.7±0.5	220
	B	1.8 ~ 2.8	3.0 ~ 4.3	200 ~ 500				
Medium Rock	A	1.9 ~ 2.9	3.7 ~ 4.7	1000 ~ 1300	E35	18 ~ 22 _{μm}	86±0.5	180
	B	2.8 ~ 4.1	4.3 ~ 5.7	500 ~ 800				
Hard Rock	A	2.9 ~ 4.2	4.7 ~ 5.8	1,300 ~ 1,600	E40	18 ~ 22 _{μm}	85±0.5	180
	B	More than 4.1	More than 5.7	More than 800	E45			
Very Hard Rock	A	More than 4.2	More than 5.8	More than 1,600	E50	18 ~ 22 _{μm}	84±0.5	180



BSC Construction Equipment & Accessories Co.

307-201, 58, Gochon-ro, Cheolma-myeon, Gijang-gun, Busan, Republic of Korea.
Tel.:+82.51.723.1292 Fax:+82.51.723.1293 E-mail : info@bsccea.com
Website : www.bsccea.com